

Automotive ESD Protection

PANJIT provides electrostatic discharge protection devices that meets the AEC-Q101 requirement of protecting network transceivers.

AEC-Q101 Qualified



► Features

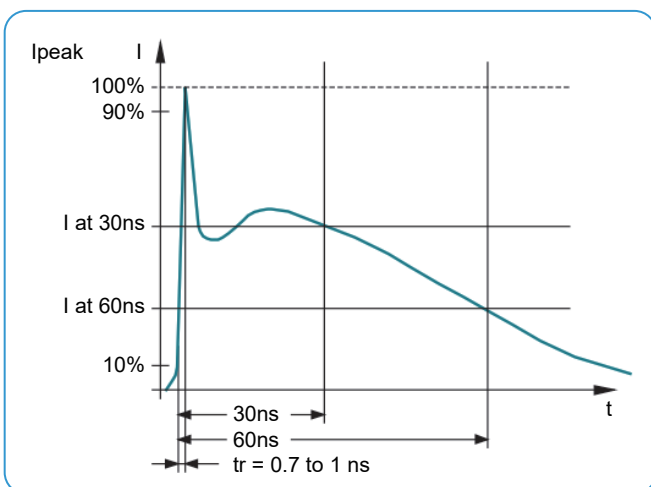
- Bi-directional high ESD robustness up to 30kV
- Excellent ESD clamping behavior
- Low device capacitance
- Package miniaturization
- AEC-Q101 qualified

► Target Application

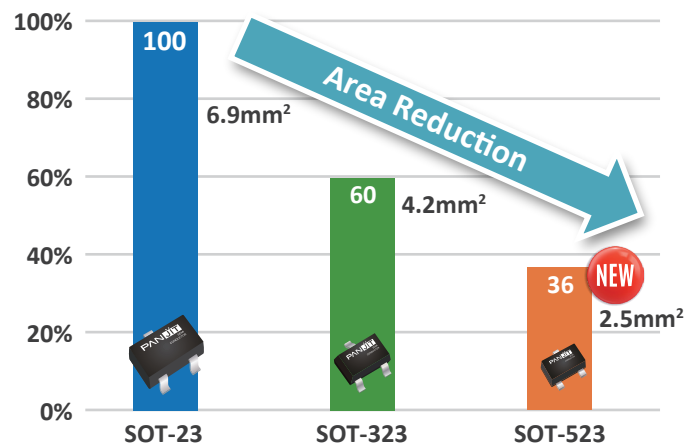
- ECU (Electronic Control Unit)
- Lighting control
- Passenger seat module
- Instrument panel



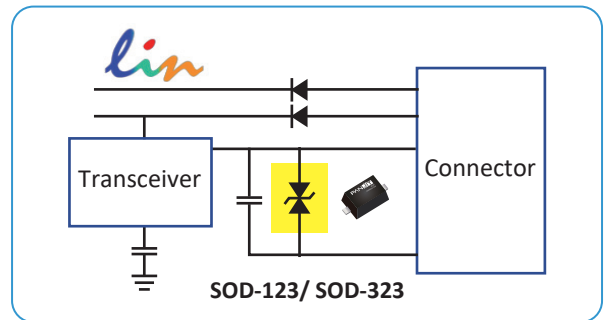
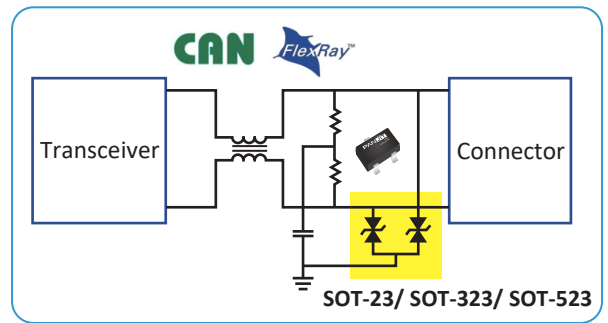
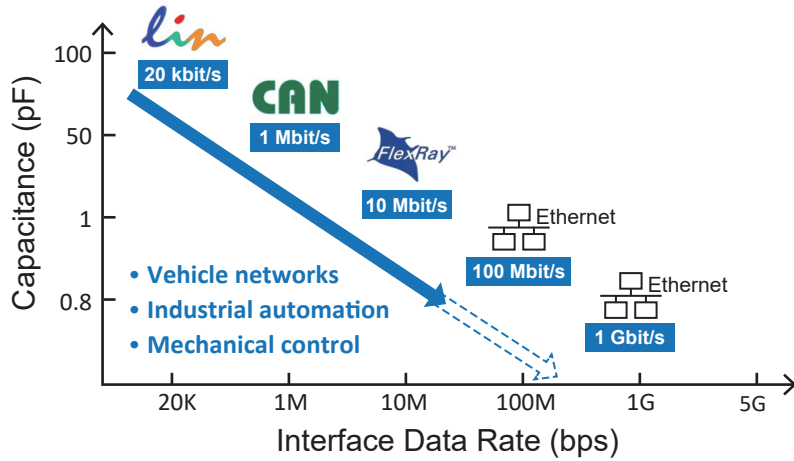
► Following ISO 10605





► Package Miniaturization






➤ Capacitance matches 20Kbit/s – 10Mbit/s



➤ Product Line-up

Channel	V_{RWM} (V)	C_J (pF)	 SOD-123	 SOD-323
1	8	70	PEC3808AS-AU	PEC3808CS-AU
	12	45	PEC3812AS-AU	PEC3812CS-AU
	15	40	PEC3815AS-AU	PEC3815CS-AU
	24	20	PEC3824AS-AU	PEC3824CS-AU
	36	15	PEC3836AS-AU	PEC3836CS-AU

Channel	V_{RWM} (V)	C_J (pF)	 SOT-23	 SOT-323	 SOT-523
2	8	70	PEC3808C2A-AU	PEC3808C2C-AU	PEC3808C2E-AU
	12	45	PEC3812C2A-AU	PEC3812C2C-AU	PEC3812C2E-AU
	15	40	PEC3815C2A-AU	PEC3815C2C-AU	PEC3815C2E-AU
	24	20	PEC3824C2A-AU	PEC3824C2C-AU	PEC3824C2E-AU
	36	15	PEC3836C2A-AU	PEC3836C2C-AU	PEC3836C2E-AU